

1 2 3 4 5 6

A

A

B

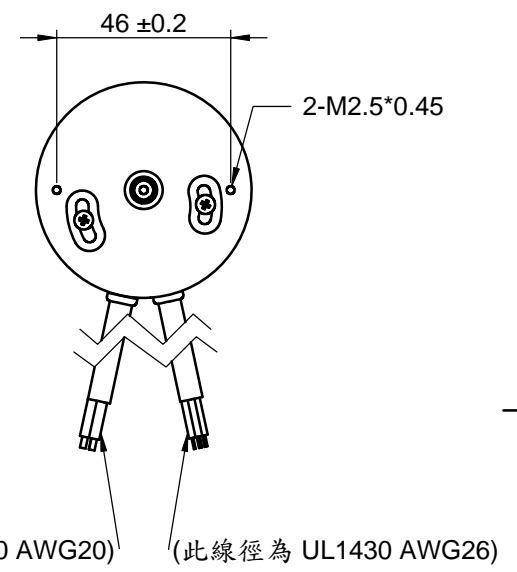
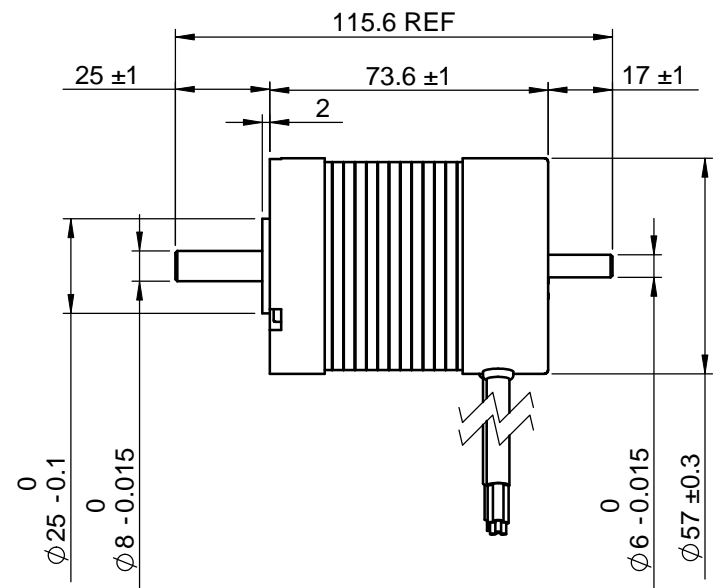
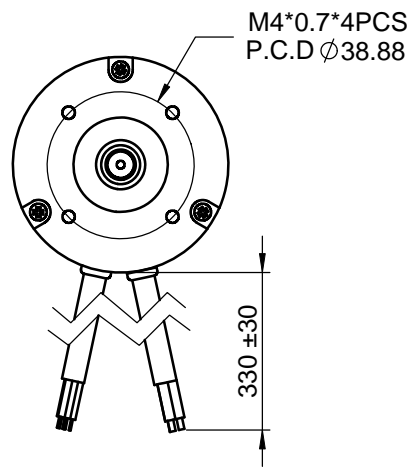
B

C

C

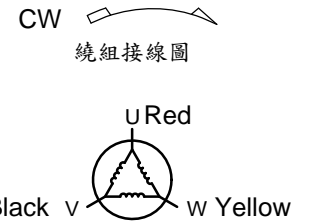
D

D



Hall 接線表		
Pin	Color	功能(說明)
1	Blue	Hall U
2	Black	GND
3	Green	Hall V
4	Red	+5V
5	White	Hall W

Motor 接線表		
Pin	Color	功能(說明)
1	Red	Motor U
2	Black	Motor V
3	Yellow	Motor W



MODEL		NO LOAD		AT MAXIMUM EFFICIENCY					THIRD ANGLE PROJECTION ALL DIMENSION ARE IN MM (UNLESS OTHERWISE SPECIFIED)	製圖	JOANNE	Cheshire Electric Company, LLC		
NOMINAL	36V DC	SPEED	CURRENT	SPEED	CURRENT	TORQUE	OUTPUT	EFF				設計	Part No	Name
		RPM	A	RPM	A	g-cm	W	%				DC Brushless motor		
		5800	0.39	5018	2.45	1536.07	80.93	91.78	繪製比例: 1:2	審核	2011/9/29			
									完成時間					

1 2 3 4 5 6